

DENTIS Cleanlant
GBR Kit

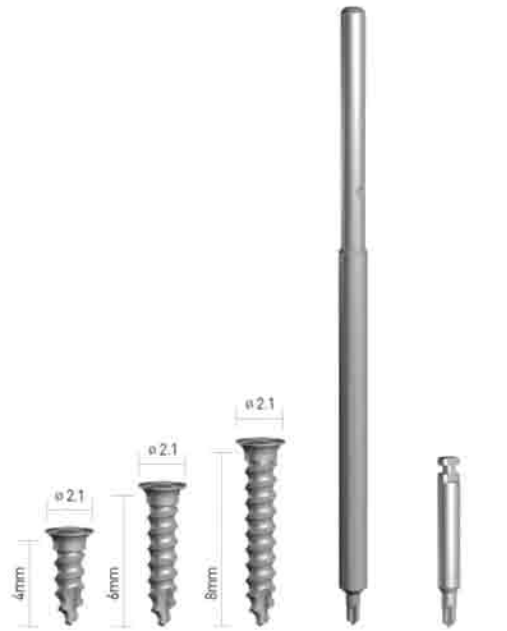
GBR Kit

1) Features

- Providing most ideal border contour, even irregular surface
- The shape of screw head
 - 1, Minimizing the tissue damage
 - 2, Minimizing soft tissue limitation
 - 3, Excellent stabilization of the membrane by cross type design

2) Components

- DENTIS GBR KIT System is supplied in full as a set
 - Bone screw (Code : DBS1404, DBS1406, DBS1408)
 - GBR for block bone or titanium mesh fixation
 - Driver
 - GBR screw driver (DGSD) for Universal handle
 - GBR machine driver (DGMD) for machine hand-piece
 - Universal handle
 - Universal handle for connecting GBR screw driver



| DBS1404 | DBS1406 | DBS1408 | DGSD | DGMD |

Your Dental Needs

Toothtopia

Beyond Expectations



3) Instruction

• Block Bone

1. Using exclusive drill for formation hole after GBR
2. Block bone fixation on the bone graft site
3. Block bone fixation with screw :
After connecting Universal handle to GBR screw driver,
or connecting GBR machine driver to machine hand-piece
4. Suturing tissue

• Titanium Mesh

1. Using exclusive drill for formation hole after GBR
2. Covering GBR site
3. Titanium mesh fixation with screw :
After connecting Universal handle to GBR screw driver,
or connecting machine hand-piece to GBR machine driver
4. Suturing tissue



Your Dental Needs

Toothtopia

Beyond Expectations