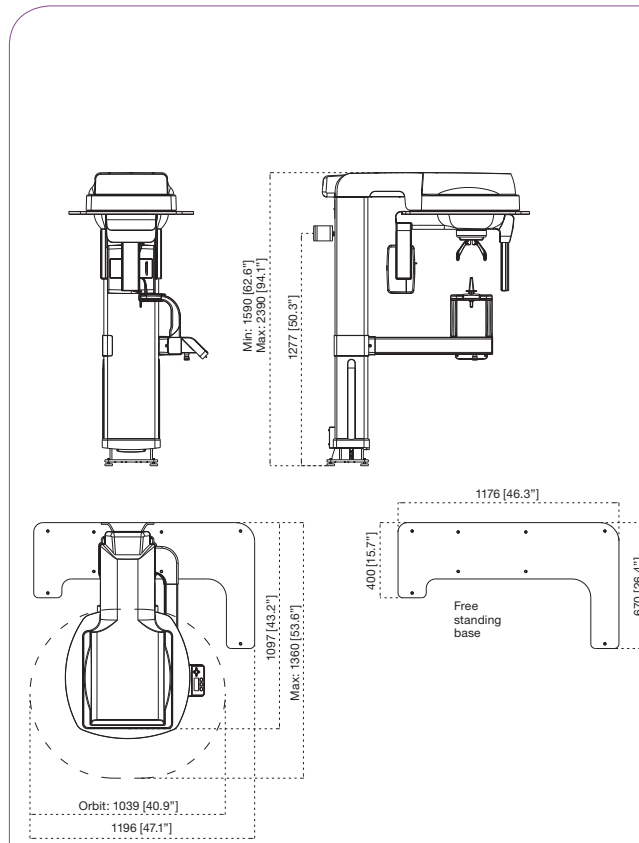


Artificial Intelligence

If time is of the essence in your practice, then you know how important it is that each and every piece of equipment around you is efficient. When it comes to imaging needs, you can not settle for any old average system. MyRay invites you to discover the unique technology of **HYPERION**, the whole-new digital panoramic machine, created to simplify the entire radiograph acquisition process.



Technical data

Power supply specification

- voltage: 115 - 240 Vac, $\pm 10\%$, with automatic adaptation
- frequency: 50 / 60 Hz ± 2 Hz, with automatic adaptation
- current: 7A at 240V, 15A at 115V, nominal temporary peak absorption
- current absorption in standby mode: max 1A

Technical factors

- anode voltage: 60 - 85 kV, automatic and manually selectable in steps of 1
- anode current: 1 - 10 mA, automatic and manually selectable in steps of 1, in the whole kV range
- mA and kV pattern modulated in real time during X-ray exposure
- automatic compensation of the spine absorption
- duty cycle 1:20 at full power operation (85kV, 10mA)
- focal spot 0.5 - IEC 60336 (1993)
- inherent filtration: 3.4 mm Al equivalent, at 85 kV
- embedded X-ray shielding behind receptor, 1.5 mm Pb exceeding requirements of IEC60601-1-3
- exposure time: 7.9s for child pan, 9.2s for adult pan
- exposure time range: 160ms - 14s (R10 scale)

Image acquisition device

- technology: CCD (charge coupled device)
- pixel size: 48 x 48 μm
- grey levels: 4096 - 12 bit A/D conversion
- resolution: more than 5 LP/mm

Image file

- image size: 1536x2725 pixel
- transfer time: max 10 sec for complete presentation on PC screen
- file size: max 8 Mb uncompressed

Installation Requirements

- weight 149 kg (329 lbs)
- packed system: 200 kg (441 lbs), single crate, 0.8W x 1.6L x 1.7H m
- telescopic motorized column
- wall or floor support, free standing base available
- dimensions in millimeters (and inches) - see scheme

Data subject to change without notice. 2009/02/15 MOP1GB061/S00



**Introducing Morphology Recognition Technology.
Because adaptation is the first step of evolution.**



www.my-ray.com



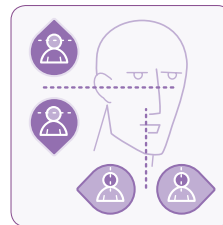
Cefla Dental Group - Via Bicocca 14/c - 40026 Imola (BO) - Italy





Servo-controlled patient positioning

In panoramic imaging, correct patient positioning is of utmost importance to image quality. Most equipment requires time-consuming manipulation of the patient's head in order to adapt to predefined uncomfortable postures. HYPERION takes it the other way round: the patient stands still, while the laser-guided multi-motor kinematics positions itself around your patient.



Automatic determination of exposure factors

HYPERION features innovative Morphology Recognition Technology (MRT) which automatically identifies patient size and all parameters required to ensure correct X-ray exposure. With MRT there's no need to program exposure times, kV or mA technical factors or even choose patient size. HYPERION does it all, automatically, so you can focus on what matters the most: your patient.



Steady posture

Two touch-activated forehead supports will guide your patient's head into the correct position, compensating possible asymmetries thanks to the independent movement of the left and right supports. HYPERION face-to-face approach makes it comfortable for both dentist and patient.



Fast scan, less than 9 seconds to go

Select one of the 15 imaging programs and push the X-ray button. Fast-scan panoramic images take less than 9 seconds of exposure, reducing the possibility of patient movement. In a matter of instants, images are available on your computer screen, ready to use.



Face to face

Comfortably ready

Comfortable patients require less time to deal with, and there's nothing more reassuring for your patient than **you**. HYPERION makes the entire acquisition process nice and easy, while you maintain reassuring eye contact with your patient at all time.

Quick share with Ethernet or SDcard

HYPERION works standalone or connected to a PC, and you decide whether to store images safely on a memory card or share them over your local network through the industry standard Ethernet. Standard TWAIN connectivity enables direct image capture with any TWAIN-compliant 3rd party software without special interface solutions. MyRay TWAIN control contains its own image processing to provide excellent image quality.



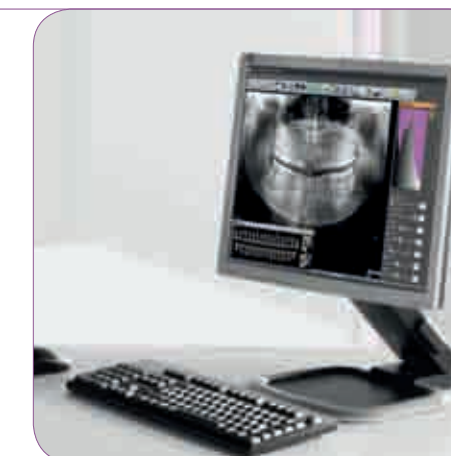
Quick choices

15 different diagnostic programmes are available through the intuitive control panel, to satisfy any possible diagnostic need. Acquire automatically-selected standard and paediatric panoramic projections, frontal and lateral views of the maxillary sinuses, multi-angle lateral and posterior-anterior views of the temporo-mandibular joint. The user controllable partial projections are a comfortable alternative to intraoral imaging, appreciated by those patients with strong gag reflex, creating a clear biting-like views of molar and premolar regions.



rayMage powered

Use the rayMage software by MyRay or any imaging program of your choice to organize the images into folders and share them over your local network. rayMage comes with unlimited network licenses and unlimited updates, so that your practice can stay up to speed with the latest advances in digital image enhancement.



Robust elegance

Equipment says a lot about your practice. It shows that you care about your patients. This is what MyRay stands for: durable and reliable technology designed around your growing imaging needs.

